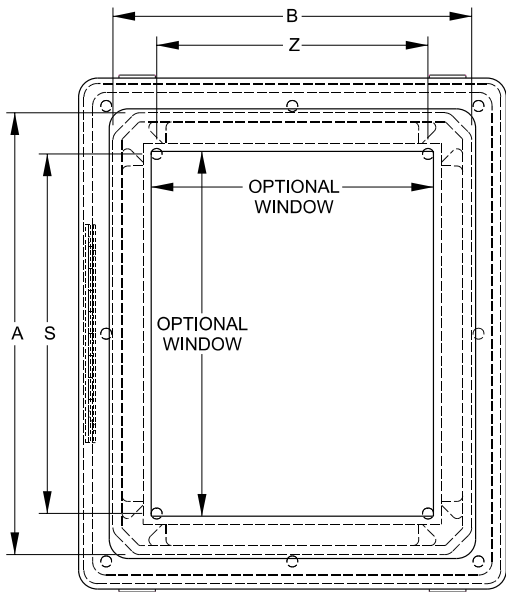
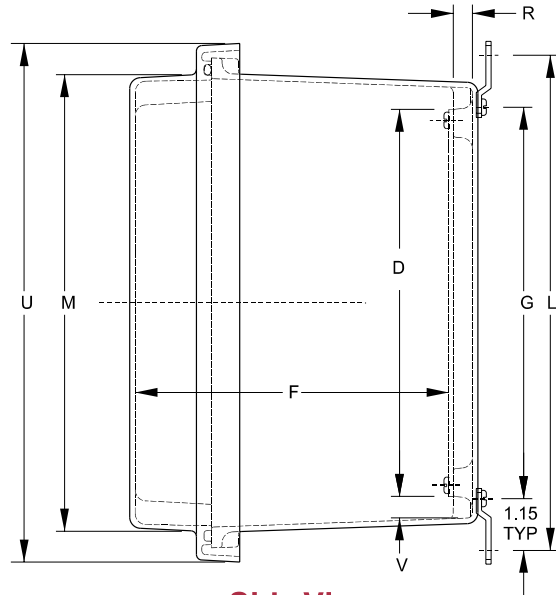


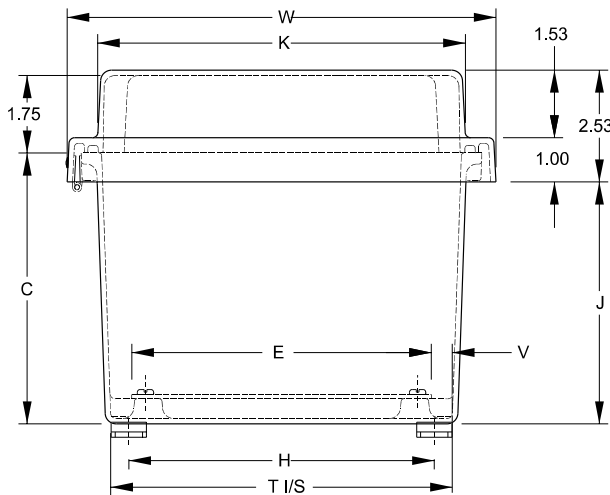
Polyester Modular Enclosures - NEMA 4X
PJ Series - Raised Lid Lift-Off, Hinged Cover, Window Door



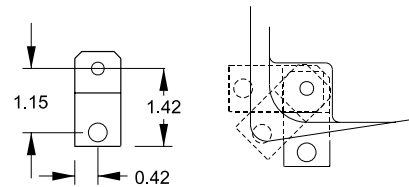
Top View



Side View



Front View



Optional Mounting Feet Locations

Thermal Index

130°C to -40°C (266°F to -40°F)

Impact Index

6.78J (5 ft/lb)

Corrosion Resistant Junction Boxes/JIC Enclosures

Raised Hinged Solid Cover Part No.	Raised Window Hinged Cover Part No.	Cover Dimensions								Panel Part No.	Optional Window Dim. HxW	Shipping Weight (lbs)
		L	T	K	M	U	W	R	V			
PJ664RH	PJ664RHW	7.32	5.83	6.08	6.08	7.69	7.69	0.44	0.49	14R0505	4.25x4.25	4
PJ864RH	PJ864RHW	9.19	5.85	6.11	7.98	9.59	7.71	0.44	0.50	14R0705	4.25x6.25	4
PJ1084RH	PJ1084RHW	11.19	7.85	8.44	10.32	11.77	9.90	0.44	0.50	14R0907	8.37x6.5	6
PJ1086RH	PJ1086RHW	11.19	7.85	8.44	10.32	11.77	9.90	0.44	0.50	14R0907	8.37x6.5	6
PJ12106RH	PJ12106RHW	13.19	9.85	10.45	12.32	13.77	11.90	0.44	0.50	14R1109	10.37x8.5	8
PJ14126RH	PJ14126RHW	15.19	11.85	12.45	14.32	15.73	13.85	0.44	0.50	14R1311	12.37x10.5	11
PJ16148RH	PJ16148RHW	17.19	13.71	13.86	15.73	17.87	15.99	0.44	0.50	14R1513	13.00x11.00	12
PJ18168RH	PJ18168RHW	19.28	15.72	15.86	17.86	20.00	18.00	0.44	0.50	P1868	14.00x12.00	17
PJ20168RH	PJ20168RHW	20.84	15.31	15.43	19.43	21.59	17.59	0.44	0.52	P2068	15.00x11.00	19

For aluminum and fiberglass panels...see page 130.

Technical references and DXF downloads available at www.hammfg.com

All dimensions in inches unless specified otherwise

Quality Enclosures. Service Excellence.